



**Joinery
Products**

XL Joinery Ltd
La Porte Vista
Folding Sliding Doors
Specification, Warranty and Instructions

LA PORTE VISTA MODULAR 3

6 DOOR SET

XL Joinery Ltd
Bradford Road, Batley, West Yorkshire,
England
WF17 8NE
Tel: 01924 350500
Fax: 01924 350525
www.xljoinery.co.uk

LA PORTE VISTA DOORS

Product Specification

The XL Joinery La Porte Vista Folding Sliding Doorsets have been designed to provide an ideal combination of performance and aesthetics. They are available in Pre-finished Oak and Prefinished White options. A matching timber frame and Aluminium/ Timber Sill are supplied as standard. These products comply with the Construction Products Regulation and are CE Marked in compliance with BS EN 14351-1:2006+A1:2010.

Door Design:

- 44mm thick doors.
- FSC engineered timber construction.
- Factory Glazed 24mm Toughened Double Glazed Units with Low-E glass and Argon gas fill.
- Available in Pre-finished Oak or Prefinished White with matching frame.
- Stainless Steel Sliding Folding Door Gear.
- 3 point Multi Point Locking System, Top and Bottom Drop Bolts and Keeps, Weather Seals (in brown), and Frame Assembly Screws.
- External Aluminium Sill with internal timber upstand to match Frame and Doors.
- Doors fold outwards from the building either to the left or right dependent on selected configuration.

Performance:

- Stated U-Values are based upon a 2.0m wide x 2.18m high opening size to meet CE mark requirements:
 - White Finished La Porte Vista Doors: **1.8W/m²K**
 - Oak Finished La Porte Vista Doors: **1.8W/m²K**

Guarantees



10 Years Guarantee
against Manufacturing
Defects



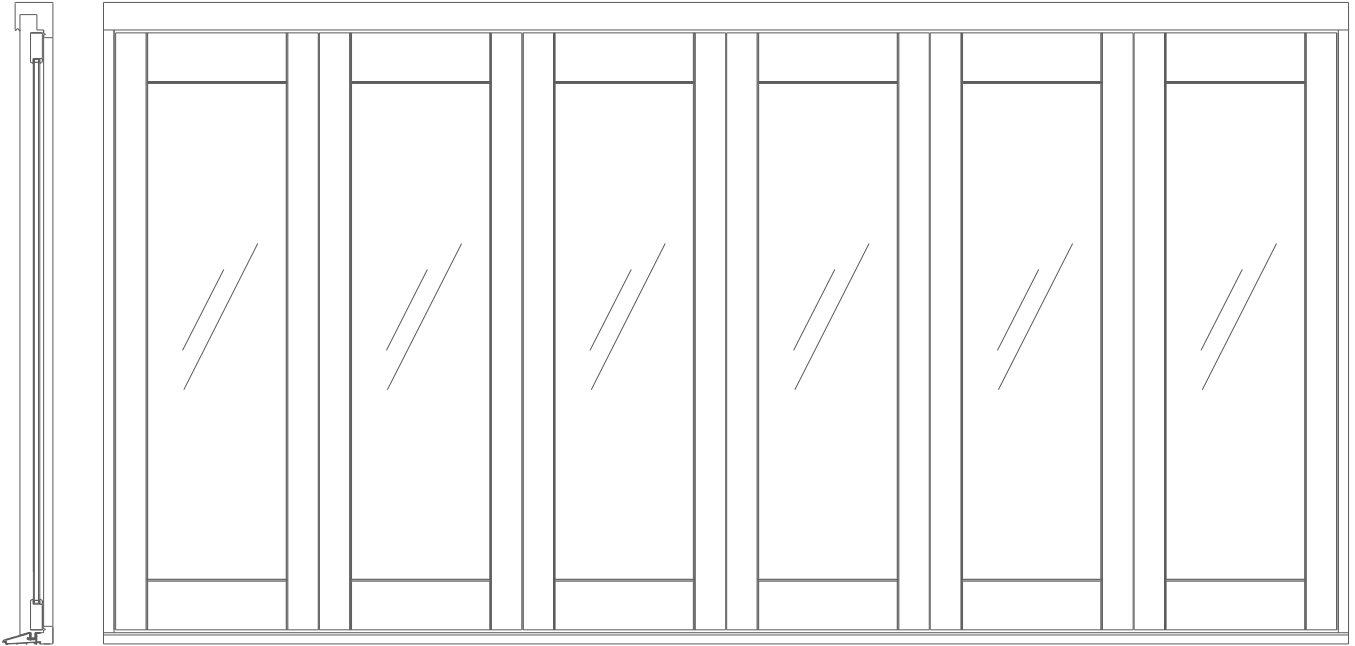
10 Year Guarantee against
Double Glazing Unit Failure

Warranty Information

The warranty offered on the XL Joinery La Porte Vista Doorsets is based on the following conditions:

- The product has been installed correctly and has not been inappropriately modified before, during, or after installation.
- The product has been stored and handled in accordance with XL Joinery guidelines.
- The product has not been damaged due to improper storage, installation, use or maintenance.
- The product is fit for its intended use and location, (e.g. not used in maritime locations, swimming pools, etc.)
- Suitable ventilation was provided during and after installation to regulate moisture content.
- The paint/ stain finish has not failed due to inadequate maintenance or poor installation.
- The paint/ stain finish has not been exposed to physical or chemical damage, e.g. ladders, cleaning agents etc.
- Unfinished products have been treated in accordance with XL Joinery Finishing Guidelines.

Doorset Elevation



SAFETY IN USE

Glass Caution

Warning! This product contains glass components which, if broken, can cause serious injury. Use extreme caution and keep children away from broken glass.

Tempered Glass Characteristics

Tempered glass is called "safety glass." It is more resistant to breakage than normal float glass and if it is broken, breaks into relatively small, blunt particles, which are less likely to cause injury. It is approximately five times stronger than annealed glass of equal thickness. Greater resistance to thermally induced stress than heat strengthened or annealed glass. Suitable for use as a safety glass. Tempered safety glass is mandated in many window applications and all door applications. Suitable where safety glazing is required, for fire knockout panels, all glass entrances and where extreme wind loads are a concern.

Hardware

Ensure that all fittings function efficiently and are regularly maintained to prevent debris impeding the function of the doors: Failure to do so may result in improper or incomplete functioning of the hardware and potentially restrict the safe operation of the doors.

Fall Prevention

Warning! An open door is a possible fall hazard, particularly when located in an elevated position above ground floor level, e.g. first floor balcony. Where necessary, ensure door openings are protected by suitable guard rails or similar.

LA PORTE VISTA DOORS

Instructions

The XL Joinery La Porte Vista Doorsets are designed and manufactured using cutting edge technology to produce a high performance product. However, the manner in which they are handled, stored, installed and maintained can affect their performance and compromise their service life. Please ensure that you read and understand the following instructions.

STORAGE AND HANDLING

- Check packaging for visible damage on delivery: Inspect the product and notify your merchant immediately if the product is damaged.
- Store the product off the ground on suitable, level bearers.
- Cover the product to avoid damp, dust and other contaminants.
- Storage areas should be well ventilated and not subject to extremes of temperature.
- Avoid **unsuitable** storage such as metal box containers and areas open to the elements. These may be subject to condensation and very high temperatures in direct sunlight. Water can also collect in the protective packaging leading to saturation of some components.
- A building, which has been built or renovated, using processes such as concreting, plastering, rendering, etc., will have a very high humidity level until dried and ventilated. If the product is installed prior to completion of these 'wet' processes, the high residual humidity will force moisture to penetrate the joinery from the inner face thus increasing the moisture content of the timber. Gentle internal heating and good ventilation of the building will greatly reduce the problem.
- Plaster and other building materials can also cause contact damage to protective coatings. If contamination occurs then remove as soon as possible with a solution of mild detergent and rinse with clean water.
- Ensure that any on site assembly or modifications are fully protected. This particularly applies to sill joints, glazing beads and glazing systems. Areas of unprotected end grain exposed by site modifications must be properly sealed and protected by brushing a generous coat of timber end grain sealant onto the exposed area.
- You should take extra care when fitting factory finished products in order to avoid damaging the coating. If you cut or damage the timber when installing the window, it must be treated with a compatible protective treatment.

PAINTING OR STAINING

- **Pre-Finished La Porte Vista Doorsets require regular maintenance as per the MAINTENANCE section of this document.** Periodically check the finishing treatment and touch up as necessary. To ensure the long life and appearance of the La Porte Vista Doorset, retreat every few years.

Unfinished Products

- Before the frame and doors are fitted, all components must be treated in accordance with the finishing instructions.
- All timber surfaces on the frame and doors must be given a total of three coats of high performance wood- stain or paint. It is important to apply the treatment to the doors and frame before they are installed.
- Failure to treat all the timber surfaces before installation may lead to excessive changes in moisture content which will cause the timber to shrink or swell, perhaps causing splits and distortion.
- When applying the stain pay particular attention to sealing the timber end grain on the tops and bottoms of the frame, side and doors and the ends of the sill.
- Also ensure that the lock and hinge cut outs are stained the same as the timber surfaces, and in particular the undersides (unseen faces).
- In areas of severe exposure, external doors should be protected by a canopy or porch in addition to pre-finishing.

NON-FACTORY FINISHED PRODUCT FINISHING SUMMARY

DO

- Use a “High Build” stain or good quality exterior paint
- Apply a minimum of 3 coats to all faces and edges (in severe exposure conditions apply an extra 2-3 coats)
- Apply the same number of coats applied to the face and edges of the door to the top and bottom edges, lock, hinge and letter plate cut-outs
- Apply at least 2 coats immediately upon unpacking the door
- Check that paint or stain manufacturers’ product is suitable for veneered/ engineered doors

DO NOT

- Use thin penetrating seals, oils or stains and hard, brittle paints, varnish or wax
- Apply stains or paints in damp / wet weather
- Use “Low Build” stains or thinned paint
- Mix incompatible products

Note: Cutting, damaging or finishing the product in a manner not detailed in these instructions may invalidate the warranty.

PRODUCT CONTENTS

Check that all the components listed below are present and in good condition prior to assembling the product.

FRAME AND DOOR COMPONENTS

LA PORTE VISTA MODULAR 3:

Frame Sill x 1

Size: 4682mm long

Frame Head x1

Size: 4682mm long

Frame Jambs x 2 (Left and Right Hand)

Size: 2048mm (maximum dimension)

Pivot Door Panel x 2

Size: 1953 x 762 x 44mm

Middle Door Panel x2

Size: 1953 x 762 x 44mm

Keep Door Panel x 1

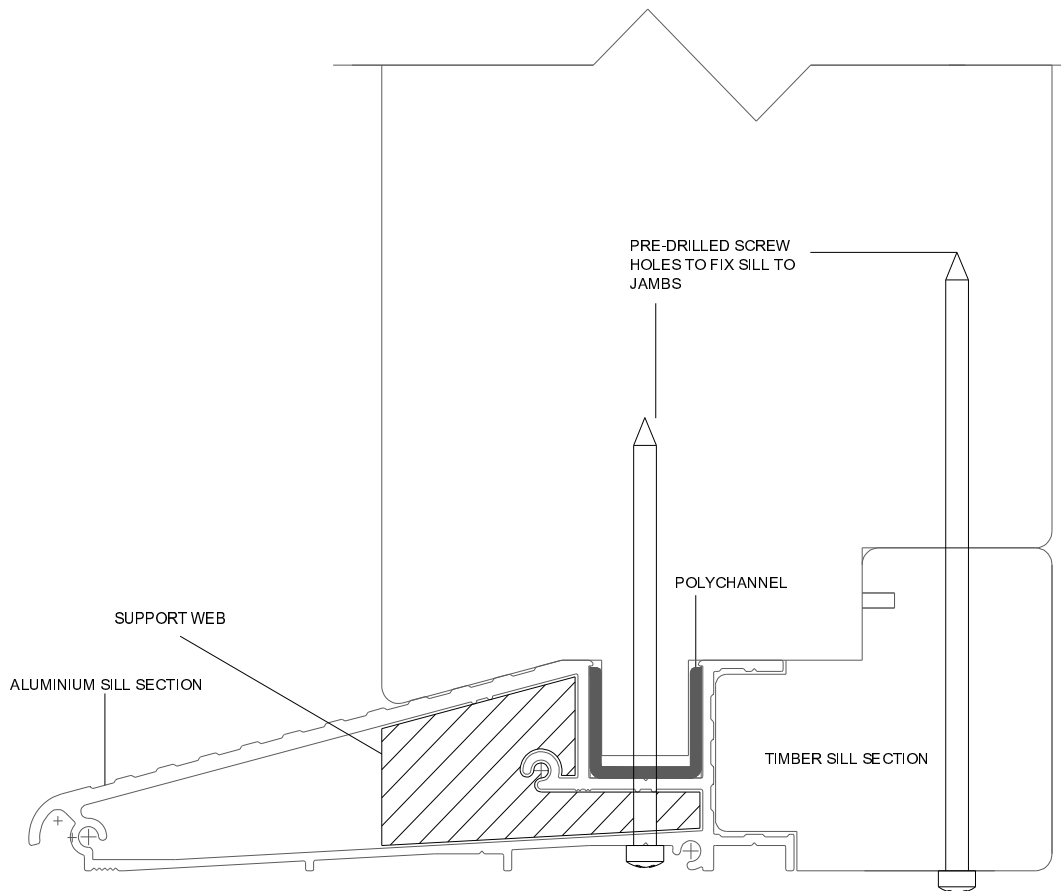
Size: 1953 x 762 x 44mm

Locking Door Panel x1

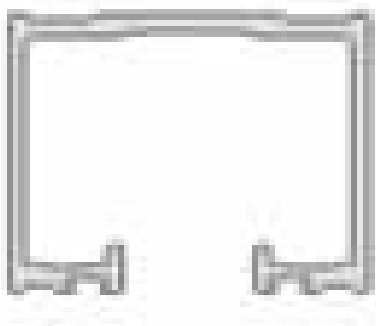
Size: 1953 x 762 x 44mm

HARDWARE COMPONENTS

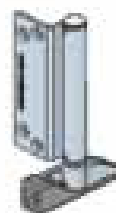
Sill inc. Polychannel, End Caps and Support Web



Top Track



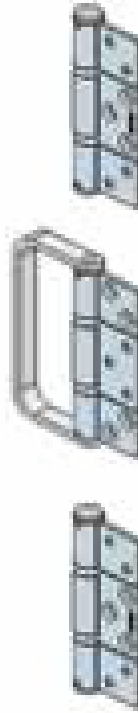
Concealed Pivot Set x 2 (E3CPSS)



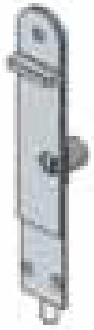
Intermediate Carrier Set x 2
(E3CICSS)



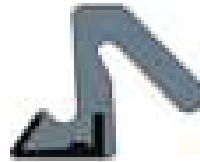
Half Offset Hinge Set X 2
(E3HHSS)



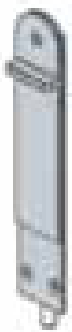
Keyed Drop Bolt + Keeper x 3
(DBFO200KRN)



Aquamac 21 Weather Seal:
2 x 4.75m
2 x 2.5m



Non Keyed Drop Bolt + Keeper x 3
(DBFO200NRN)



Aquamac 63 Weather Seal:
10 x 2m



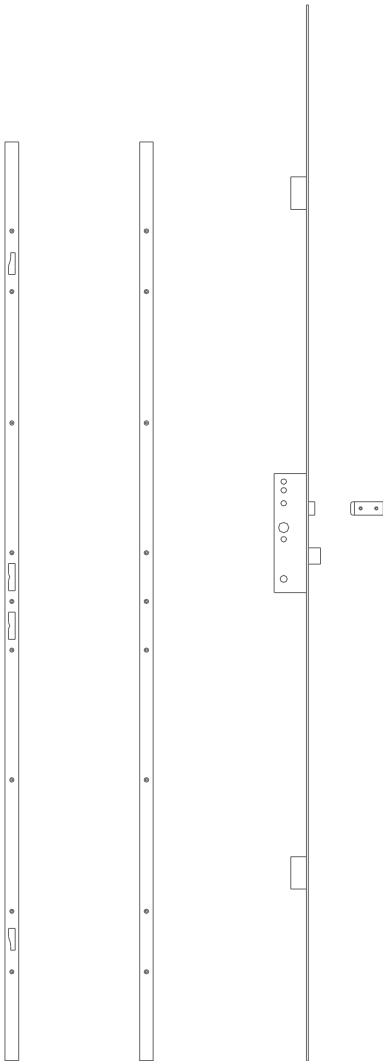
Lock Set x 1

(Including fixing screws)

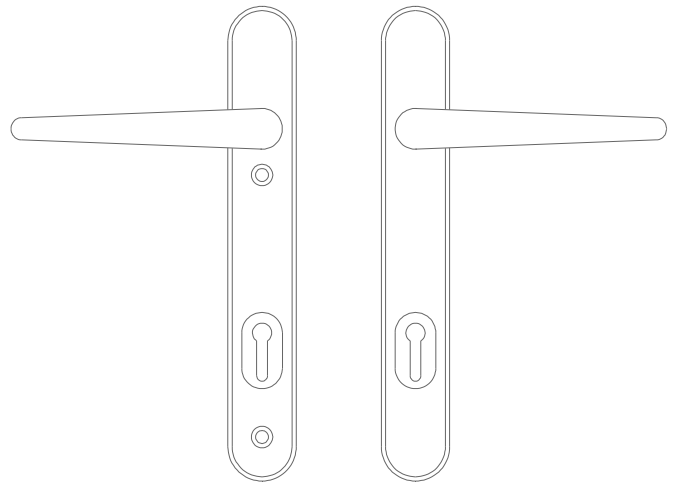
Multi-Point Lock x 1

One Piece Keep x 1

One Piece Blank Keep x 2



Door Handle Set x 1



Assembly Screws

Sill Assembly Screws:

2 no 10 x 4"

2 no 10 x 3"

Head Frame Assembly:

2 no 10 x 6"

2 no 10 x 4"

Top Track Fixing Screws:

30 no 6 x 1 1/4"

INSTALLATION

Prepare the Opening.

It is strongly recommended that old doors and windows should not be removed, nor apertures created, until all new materials are on site. This avoids the building being open and insecure for any longer than necessary.

REMEMBER: Check the product for any damage or missing parts prior to commencing installation.

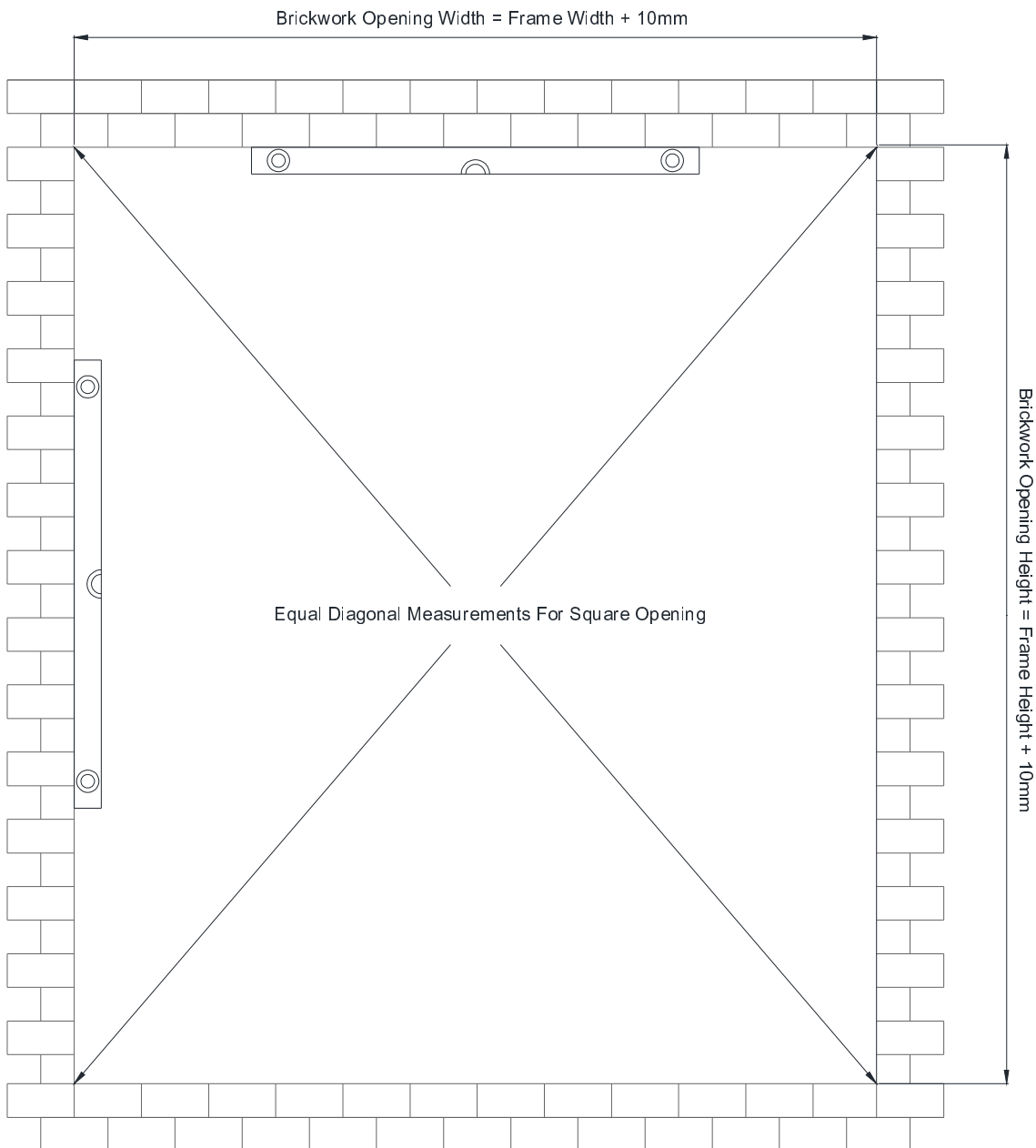
It is the installer's responsibility to ensure that the door frame is fitted under a suitable lintel or other structural support and that an appropriate damp-proof course/ bedding, is installed at sill level.

The brickwork opening should be approximately 10mm wider than the assembled frame dimensions. Ensure that the brickwork is level and the opening square prior to installing the frame: Failure to do so may result in the frame being out of square which can impede the proper functioning of the doors.

FRAME DIMENSIONS

The VISTA MODULAR 3 external frame dimensions are:	2098mm high x 4682mm wide
Approximate brickwork opening dimensions should be:	2108mm high x 4692mm wide

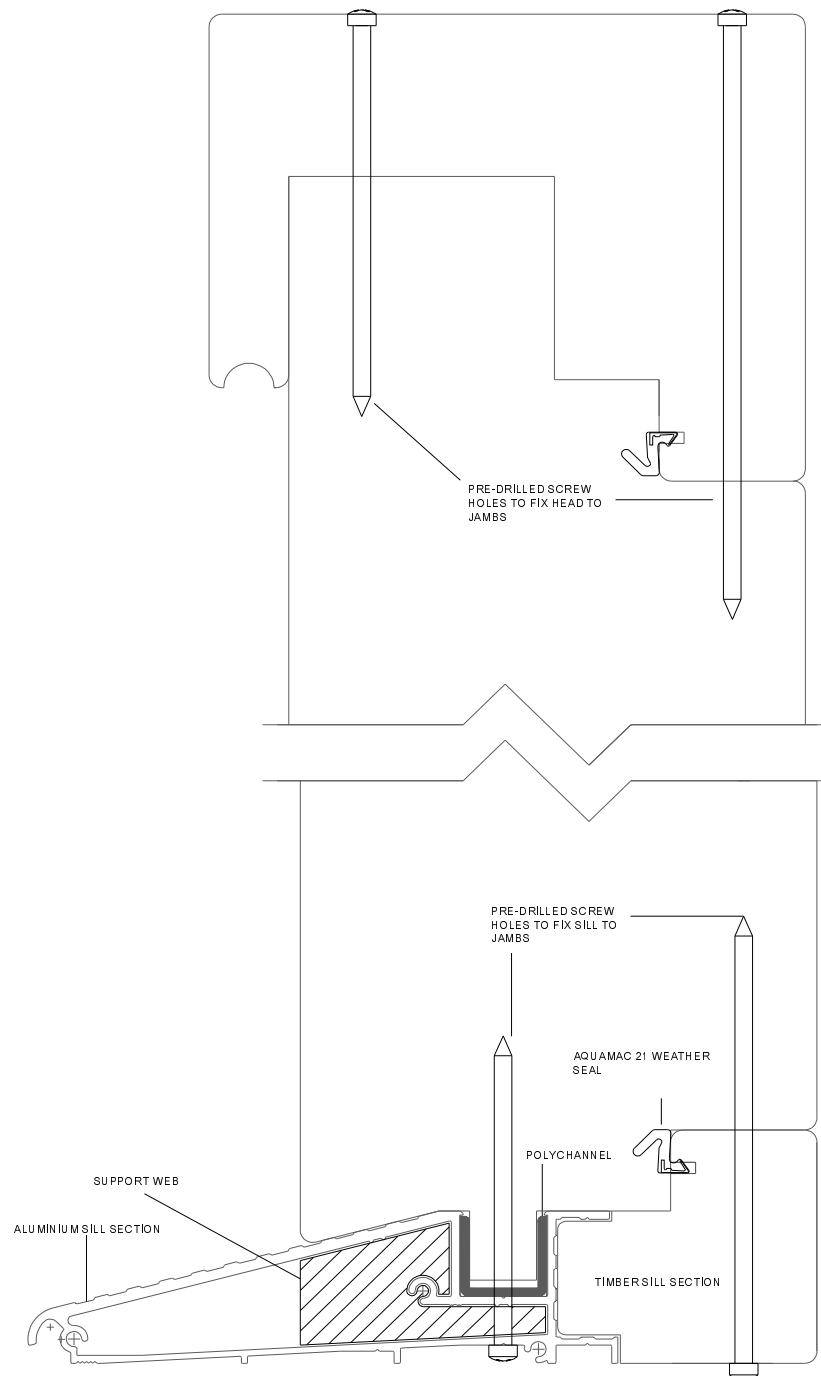
BRICKWORK OPENING



Assemble the Frame

The Frame Head and Sill are pre-drilled to accept the screws provided.

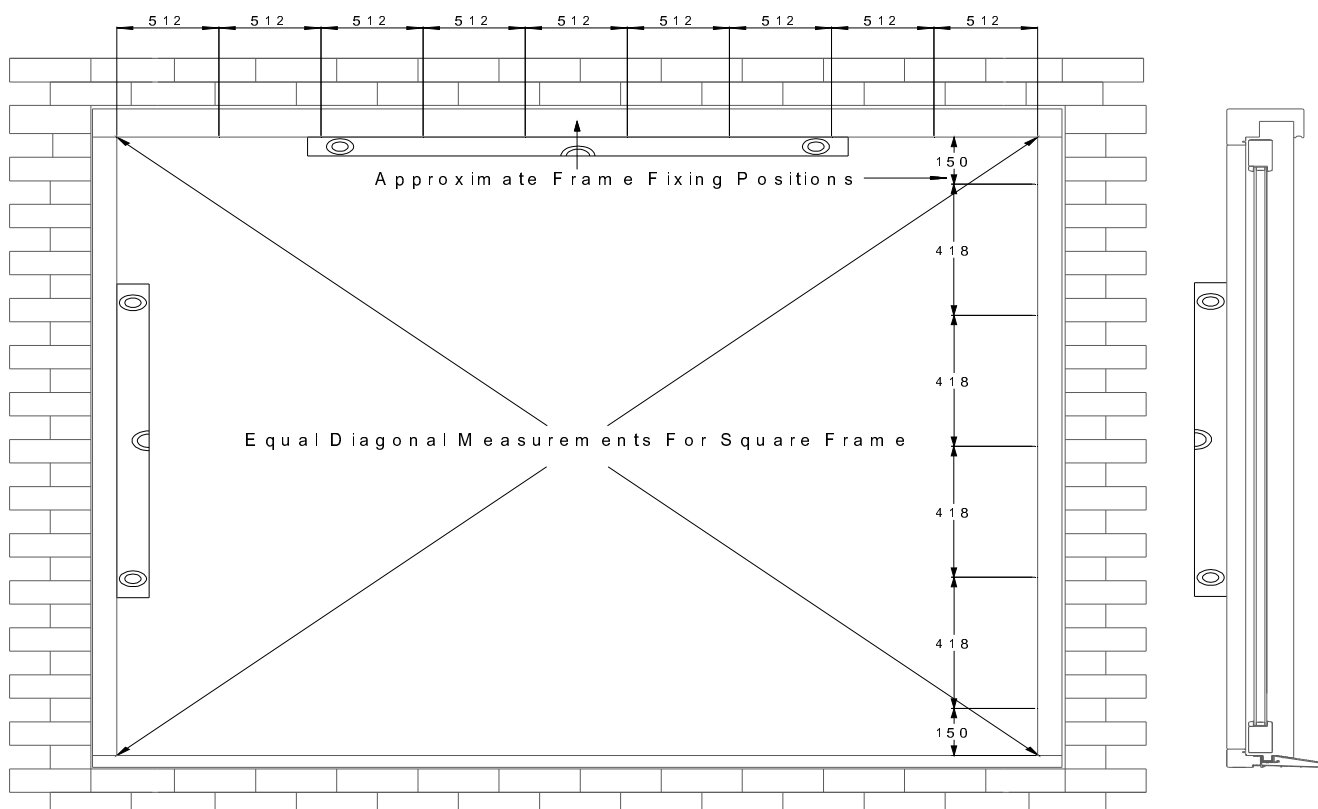
- Loose assemble the frame components, ensuring that all joints are tight fitting and flush.
- Fit the Support Webs (plastic inserts) into the Aluminium sill ends to support the jambs when screw fixing.
- Apply a waterproof adhesive to the joining surfaces between the Jambs and the Head components prior to screwing the components together.
- Apply a translucent silicone sealant between the Jambs and Sill to prevent moisture ingress.
- Use the Assembly Screws to join the Jambs to the Sill and Head components.
- Ensure the frame joints are tight and that the frame is square throughout the installation.
- Wipe off any excess adhesive and sealant with a clean cloth.
- Screw the Sill End Caps to the ends of the Sill.



Install the Assembled Frame

- Fit the frame into the brickwork with the sill facing to the outside of the building, ensuring that the frame overhangs the brickwork cavity.
- Situate the Sill on an appropriate damp-proof course/ bedding. Ensure that the sill extends beyond the external face of the brickwork to allow water to drain away freely. Fully Damp Proof Courses should be fitted during construction of the aperture. .
- To reduce the amount of heat lost from the inside of the building to the outside through the frame edges, (Technically known as “a cold bridge”), the frame must be set back to overlap the inner face of the outer brickwork **by at least 30mm**. Adequate insulation should be fitted between the outer and inner wall construction to reduce heat loss around aperture.
- Ensure that the frame is fitted square and level in both the horizontal and vertical plane: Use wooden / plastic packers between the frame and brickwork opening.
- Check that the frame diagonal measurements are equal to ensure that it is square.
- Fit the frame through the Jamb and into the surrounding structure using suitable frame fixings, (not supplied). Drill and countersink the Jamb fixings at 150mm from the top and bottom of the frame with a minimum of five evenly spaced fixings in each of the Jamb.
- Fit the frame through the frame Head and into the lintel using suitable fixings dependent on lintel type.
- When tightening the screws use wooden / plastic packers to prevent the frame from distorting
- If the frame is installed into a timber frame construction, allowance must be made for differential movement between the various construction components.

FIXING THE FRAME



Sealing

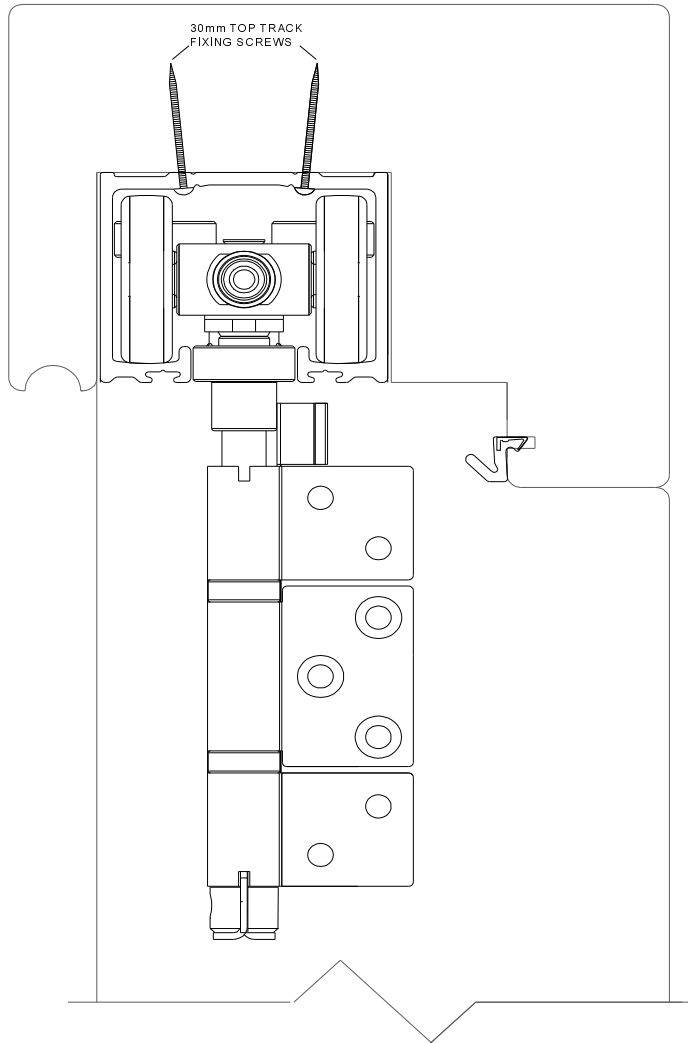
To prevent air and moisture passage between the frame and the adjacent wall, the gap should be fully sealed. Various sealing methods can be used, e.g. expanding closed cell foam or a silicone or mastic sealant. If excess sealant spreads over the painted surface, in order to avoid damage, clean it off as soon as possible: Do not allow it to set.

NOTE: It is advised not to fix the frame through the sill as this may damage the sill drainage system: However, if required the sill can be fixed through the deepest part of frame for added stability.

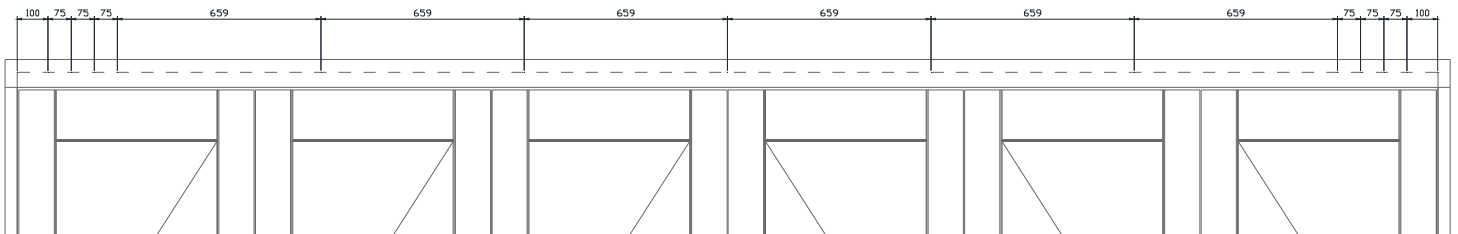
This hardware system is designed to be “Top Hung”; therefore the weight of the doors will be carried by the Top Track. As such it is necessary to ensure that there are secure fixings through the Frame Head into the lintel. Failure to do so may result in the Frame Head bowing which will adversely affect the functioning of the hardware system.

Permanent Fitting of the Top Track

The Top Track will require permanent fixing into the frame Head at regular intervals as displayed below. At this stage the Top Track will have been removed from the Frame Head during the installation of the assembled frame. Drill pilot holes through the Top Track at the designated spacing's. Do not fix the Top Track at this stage.



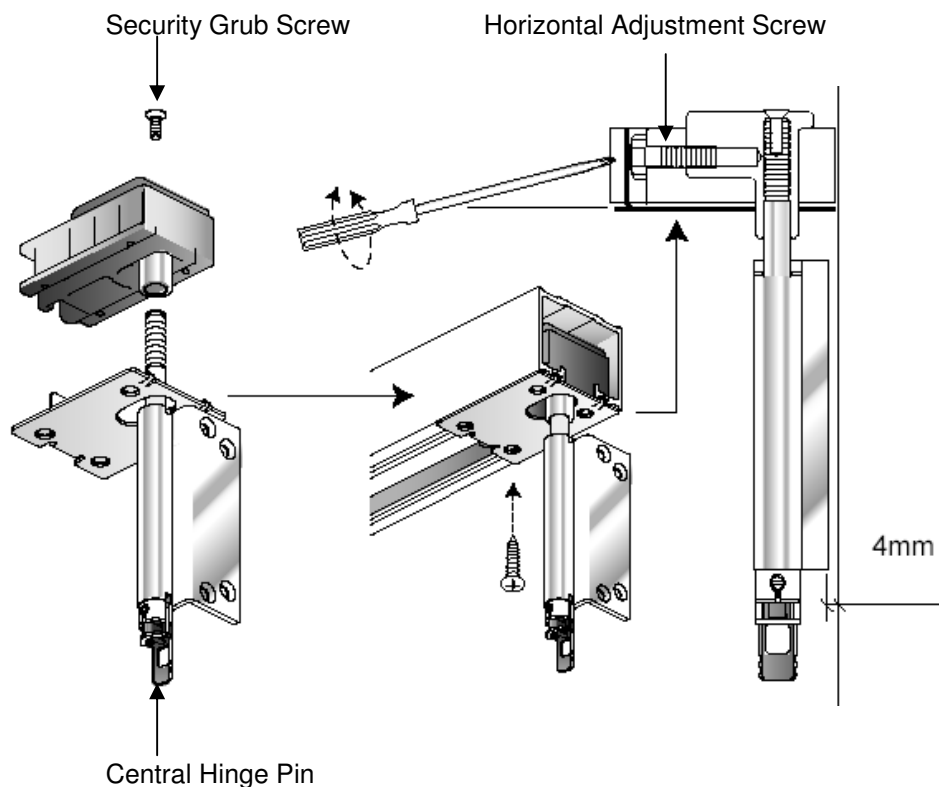
Top Track Fixing Centers



Top Track Assembly

- Insert the Intermediate Carriers through the Access Slots and into the track. **(Must be done first)**
- The Top Pivot Blocks may need the hinge oriented to suit the opening.
This is achieved as follows:
 1. Remove the security grub screw from the top of the pivot block.
 2. Remove the hinge by unscrewing the central hinge pin from the pivot block.
 3. Remove the hinge from central hinge pin and, rotate it 180° and slide the hinge back onto the central hinge pin.
 4. Reattach the central hinge pin to the pivot block and screw the security grub screw back in place.
- Fit the Top Pivot Block into the Aluminium Top Track Access Slot. Secure the Top Pivot Block through the four holes with the 25mm screws provided.
- Repeat with the opposite Top Pivot Block.
- Permanently fix the Aluminium Top Track into place with the 30mm round headed screws provided through the pre-drilled holes.

The Top Pivot Block position can be adjusted by rotating the Horizontal Adjustment Screw:



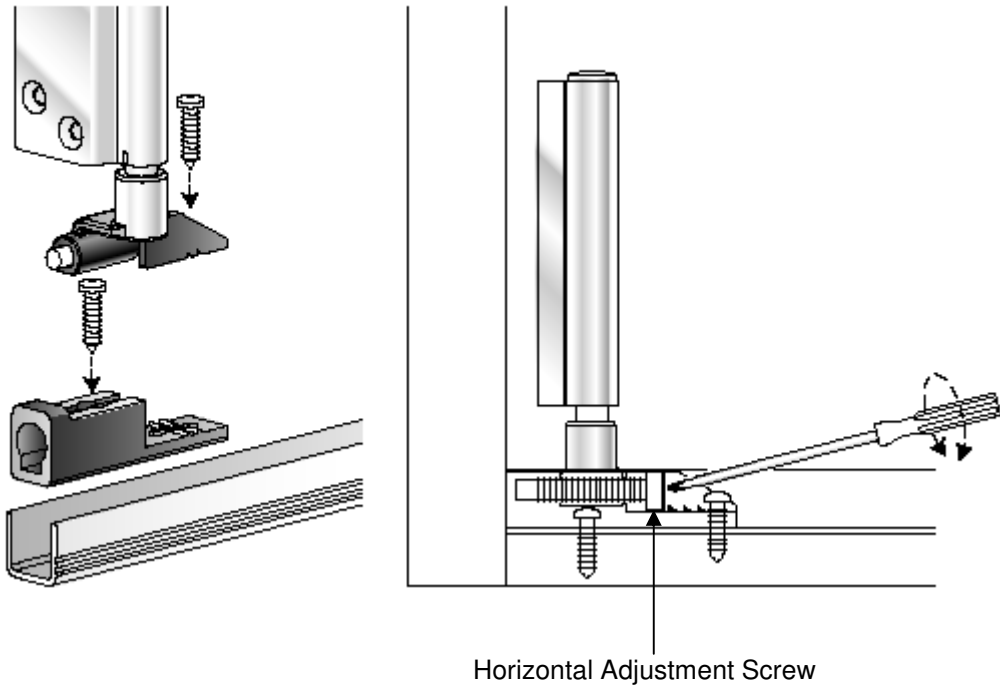
Both Left and Right Hand Locking Door Panel as viewed from outside the building



Fit the Bottom Pivots

Fit the Bottom Pivots into the channel that is incorporated into the sill at both ends of the frame. Drill 4mm pilot holes into the sill channel to accept the 2 Pivot Block fixing screws.

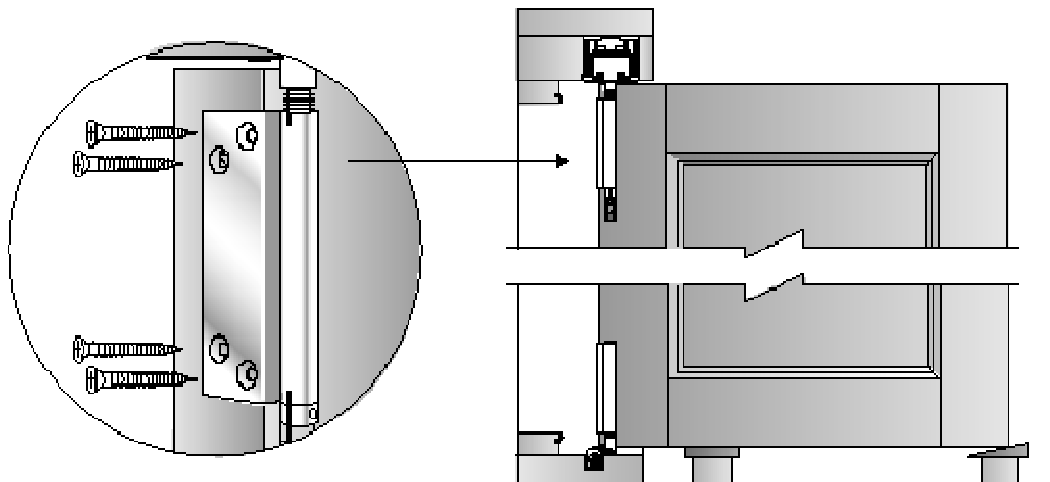
The Bottom Pivot position can be adjusted by rotating the Horizontal Adjustment Screw:



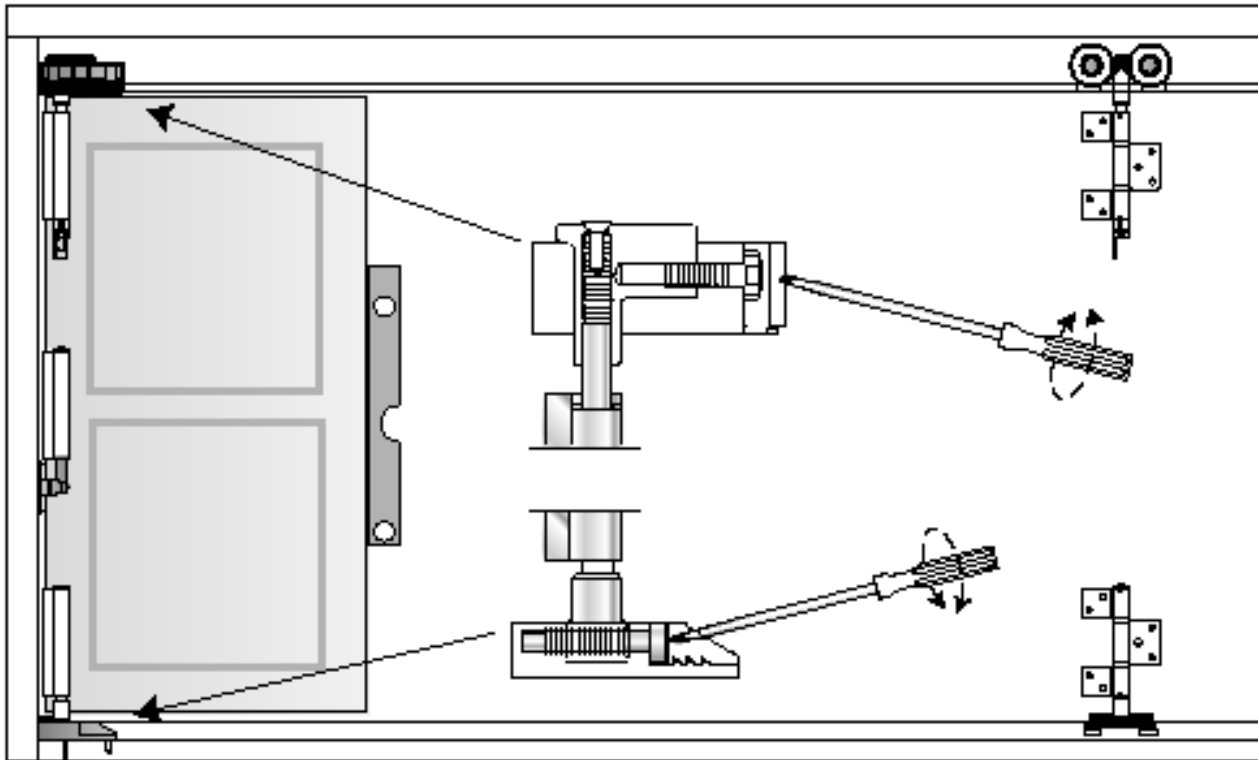
Fit the Pivot Door Panels

NOTE: When fitting all the door panels ensure the hinge blades are located at the correct distances as displayed in the **Pre-drill the Hinges** sections on Page 11..

- Fit the Pivot Door Panel by screwing the Concealed Pivot Set hinge blades to the door panel through the pre-drilled holes using the screws provided.
- Support the door panel with blocks and wedges to obtain the necessary height for hanging the door.
- Ensure that the pinned glazing beads are facing to the inside of the building.
- Repeat this process at the opposite side of the frame for the other Pivot Door Panel.



- **IF NECESSARY:** Adjust the door orientation to maintain an even gap between the door panel and the frame jamb: This is achieved by rotating the Horizontal Adjustment Screw in the Top Pivot Block and Bottom Pivot Block clockwise or anticlockwise. Ensure that the door panel is plumb after adjustment.



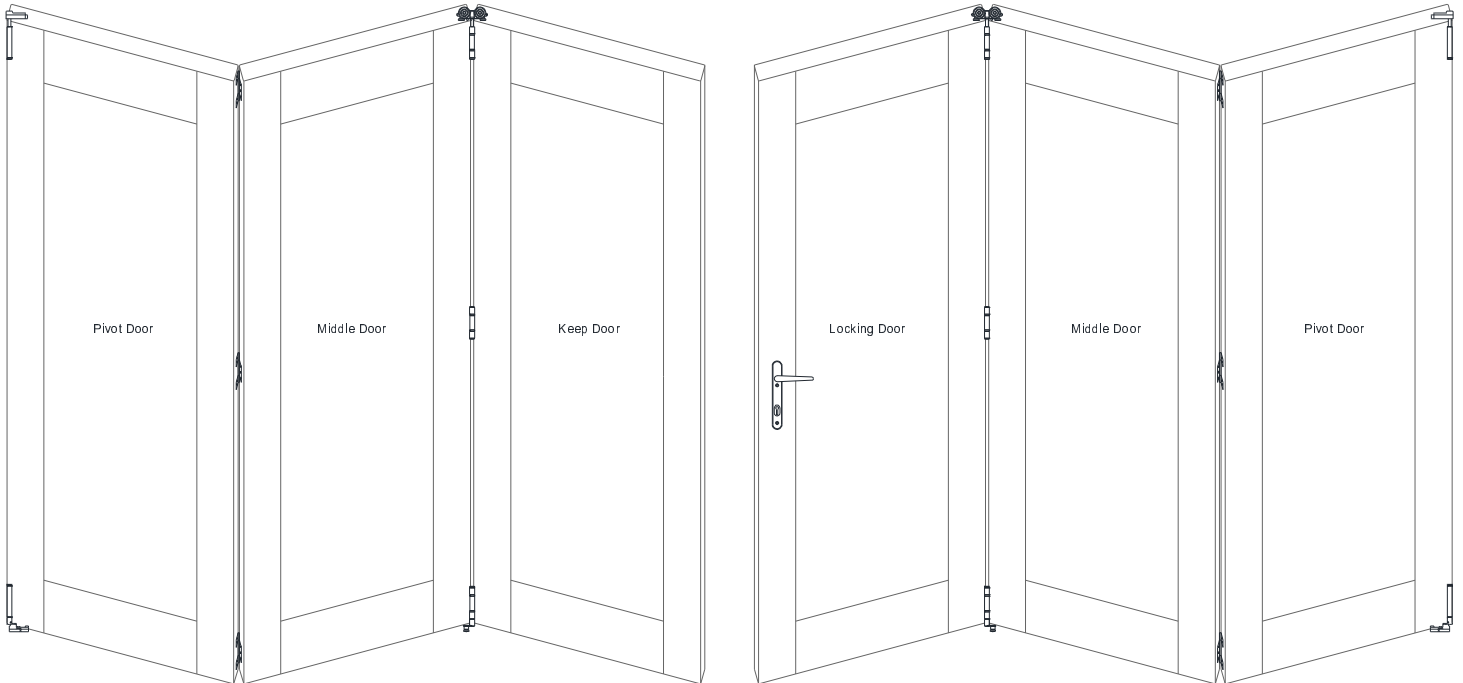
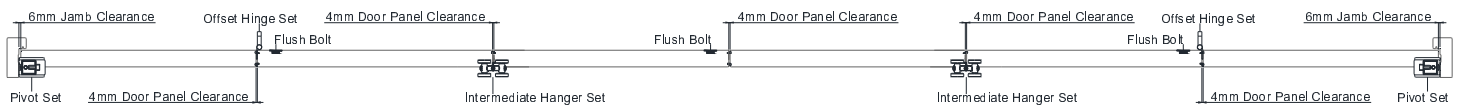
Fit the Middle Door Panels

- Fit the Half Offset Hinge Set to the Pivot Door Panel, pre-drilling the screw holes and ensuring the hinge handle points to the inside of the building. Remember to leave a 1mm gap between all the hinge barrels and the face of the door.
- Screw the Middle Door Panel to the Half Offset Hinge Set through the pre-drilled holes, again using blocks and wedges to support the door panel.
- Ensure that the pinned glazing beads are facing to the inside of the building.
- Screw the Intermediate Carrier Set to the Middle Door Panel, pre-drilling the screw holes and ensuring the Intermediate Carrier Set Guide sits within the frame Sill's Polychannel.
- Repeat this process at the opposite side of the frame for the second Middle Door Panel.
- All doors must line up evenly with each other.

Fit the Keep Door and Locking Door Panel

- Fit the Locking Door Panel to the Right or Left Hand Middle Door Panel as preferred. Screw the Locking Door Panel to the Intermediate Carrier Set through the pre-drilled holes, using blocks and wedges to support the door panel.
- Screw the Keep Door Panel to the opposite Intermediate Carrier Set through the pre-drilled holes, again using blocks and wedges to support the door panel.
- Ensure that the pinned glazing beads are facing to the inside of the building.
- All doors must line up evenly with each other.

Hardware and Panel Orientation (Right Hand Locking Door Panel displayed below)



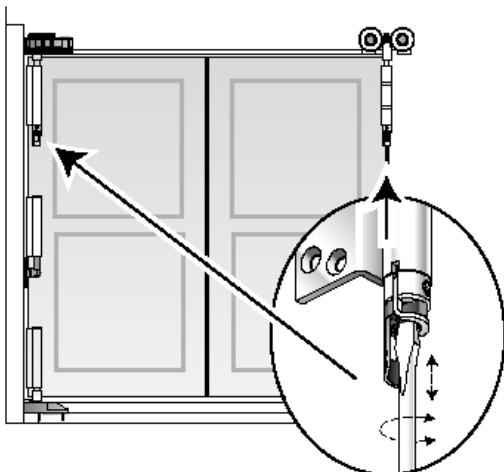
Final Adjustment of the Doors

Further adjustment of the Top Pivot Block and Bottom Pivot can be made to space the door panels correctly across their width.

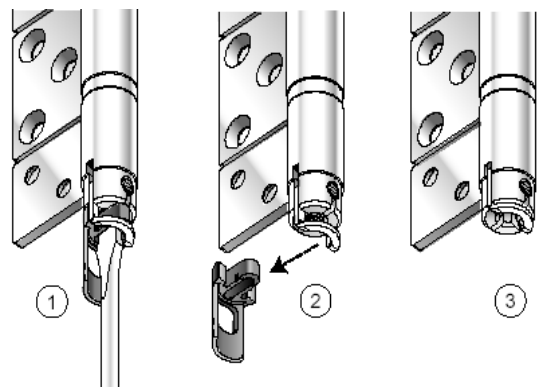
The height of the door can be adjusted by rotating the hinge pin in the Intermediate Carrier and Top Pivot Block. The height should be adjusted so that there is an even 5mm gap between the top of the doors and the underside of the Aluminium Top Track. This is achieved as follows:

- Insert a flat-bladed screwdriver into the slot and rotate the pin.
- When correct adjustment is reached remove the shipping clip.
- The locking clip will snap into place when the blade and slot are aligned.
- To readjust pull the locking clip down to disengage it from the slot, replace the shipping clip and rotate the pin.
- Remove shipping clip after final installation adjustment.

Adjusting Door Panel height



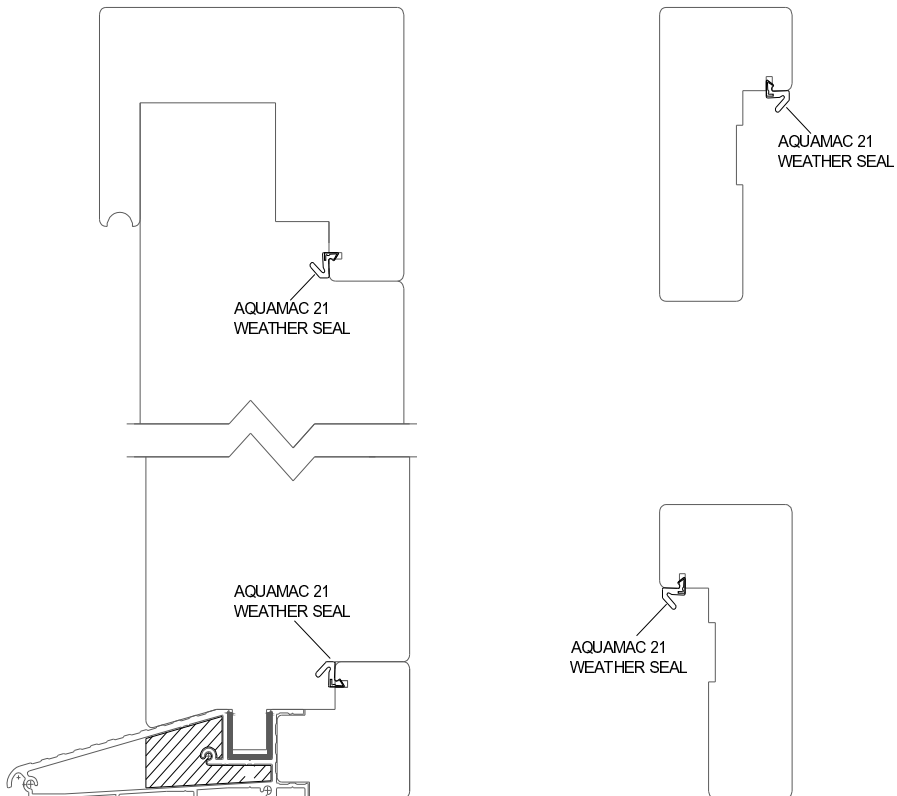
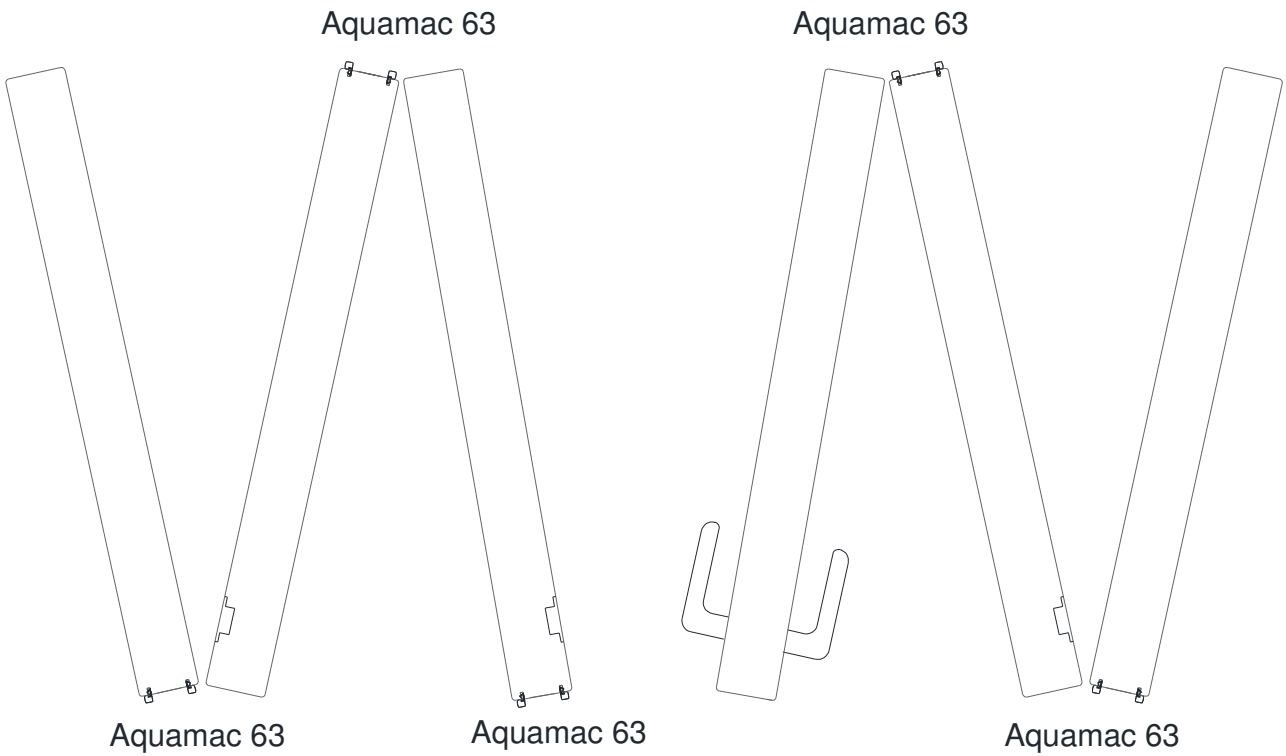
Removing the Shipping Clip



Fit the Weatherseals

Once the doors panels are in position fit the frame and door panel weather seals into the pre-machined grooves as displayed below. Ensure that the Aquamac 21 weather seals are butt jointed in the frame rebate where they meet between the jambs and head/ sill components.

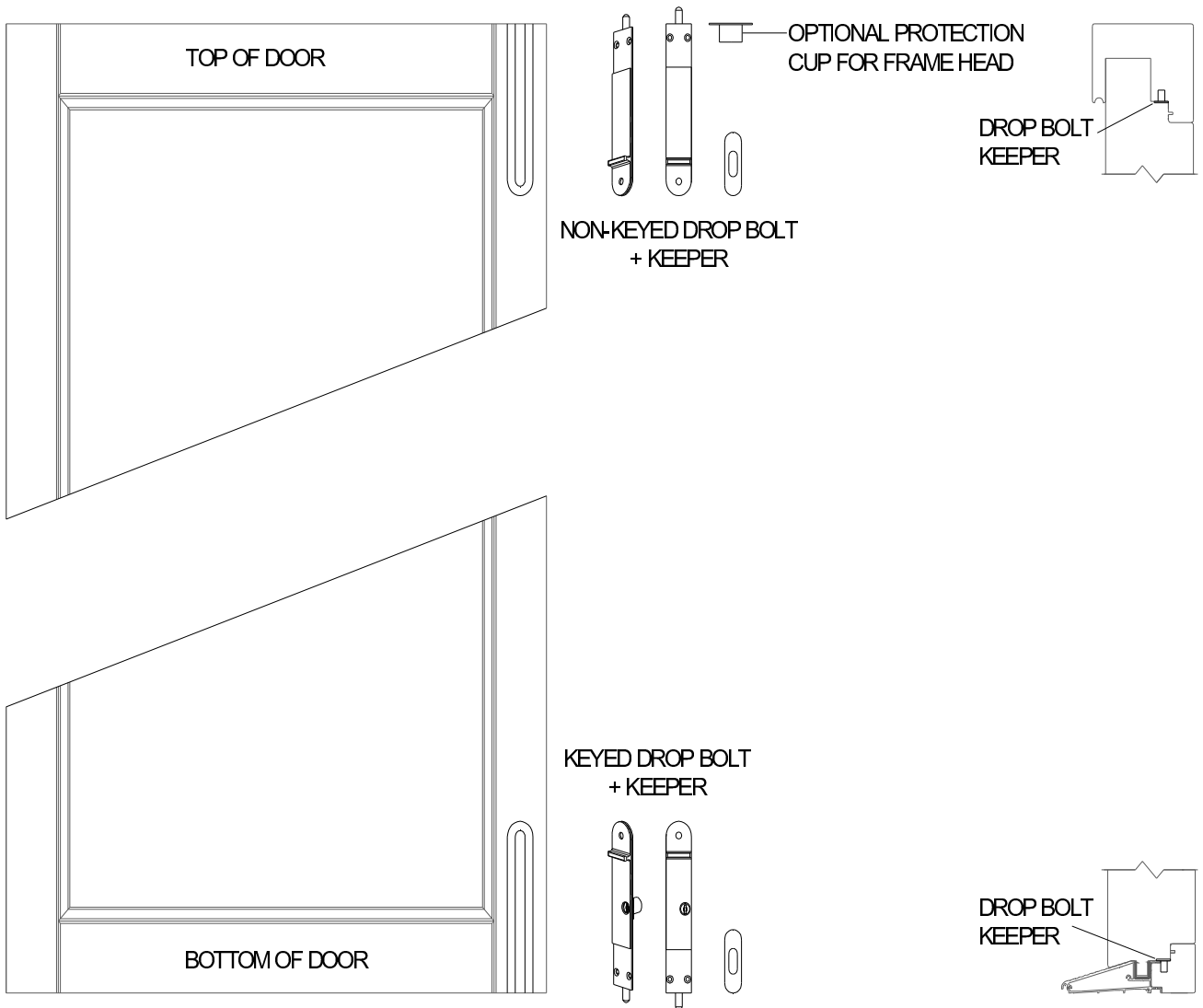
Door Panel and Frame Weatherseals



Fit the Door Panel Drop Bolts and Keepers

- The Middle Doors and Keep Door Panel are pre-machined to accept the top and bottom Drop Bolts.
- The locking Keyed Drop Bolt is fitted to the bottom of the panels.
- Fix the top and bottom Drop Bolts to the panels. Pre-drill the screw holes prior to fixing the Drop Bolts.
- The frame Head and timber Sill sections require drilling to accept the Drop Bolts' shoot bolt and Keeper: Close the doors to determine the position of the Drop Bolt shoot bolts prior to installing: Ensure that the Final Adjustment of the doors is complete prior to this.
- To facilitate fixing of the Drop Bolt Keepers the Aquamac 21 weatherseal can be temporarily removed from the frame Head and Sill: Remember to replace the weatherseal after the Keepers are fitted.
- It is recommended that the Keeper cut outs are coated with silicone prior to final fitting to ensure that there is no moisture ingress.

Drop Bolt and Keeper Fitting Arrangement



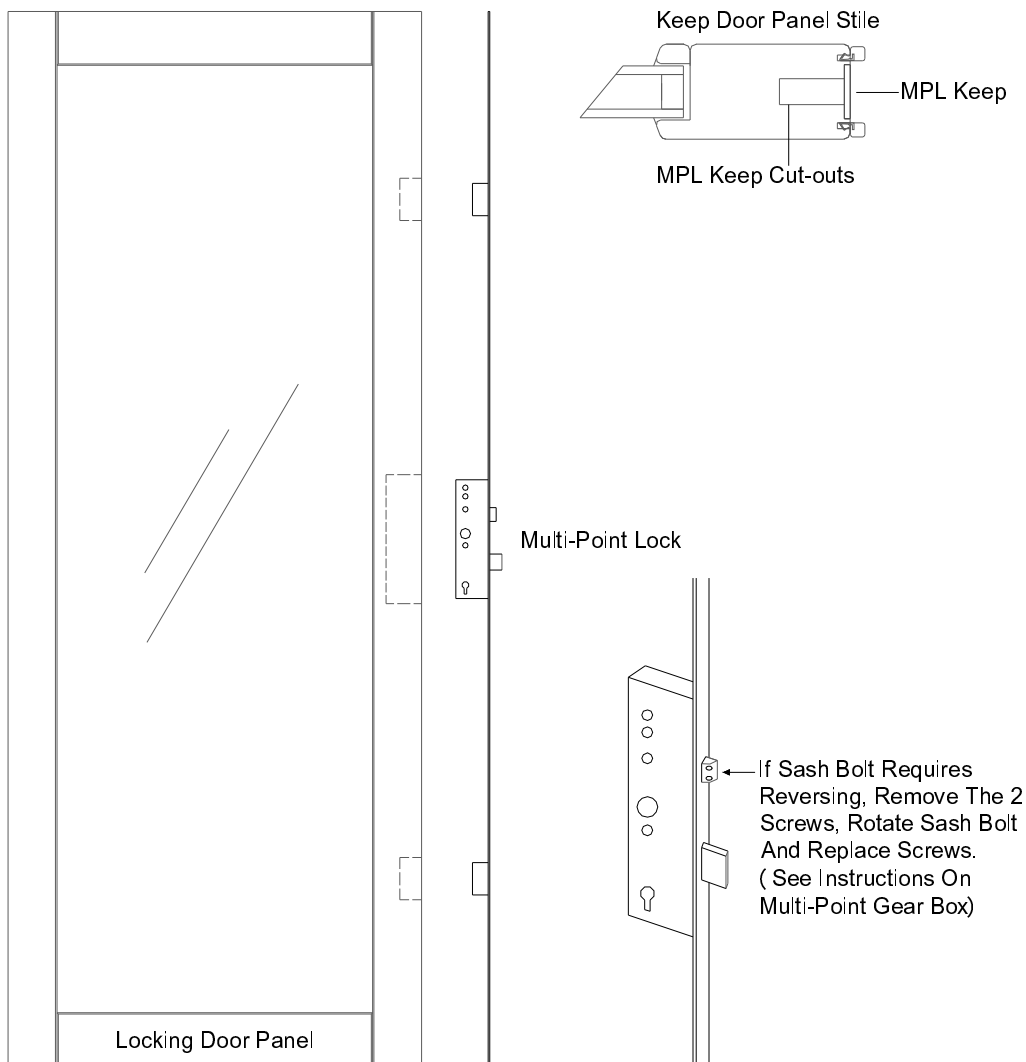
Fit the Lock, Keeps and Handles

Fit the MPL Lock and Handles to the Locking Door:

- Drill out MPL lock key-hole, handle spindle, and handle fixing screws through the locking door stile using the Handle Template at the end of these instructions. Note: The door latch may require to be turned around. If required, undo the two screws on the latch and spin it around and re-tighten the screws.
- Fit the MPL Lock with the screws provided, pre-drilling as necessary. Do not over-tighten the screws during fitting, e.g. by using a power drill driver with the incorrect torque setting. Excessive deflection of the MPL lock will impair its smooth function.
- Fix the handles to the locking door using the screws provided.
- With the door in the open position lift the handle upwards to ensure that the lock hooks operate properly: Check that the key also works and that the door can be locked and unlocked. Retract the lock hooks by moving the handle downwards.

Fit the One Piece Lock Keep and One Piece Blank Keeps.

- Locate the One Piece Lock Keep into the pre-machined groove in the edge of the Keep Door Panel so that the MPL Lock latch will engage against the Keep humps when the door is closed.
- Close the doors, ensuring that the Drop Bolts are engaged: Lift the handle to ensure that the MPL Lock hooks engage smoothly into the One Piece Lock Keep: If necessary, adjust the Keep position until the MPL Lock hooks engage.
- If the MPL Lock latch is not engaging into the One Piece MPL Keep, adjustment is made by filing down the hump on the keep until the latch snaps into place.
- With all doors closed and the lock hooks engaged, turn the key to ensure that the door locks and unlocks.
- Fix the One Piece Blank Keeps to each Frame Jamb with the screws provided ensuring that they are set at the same height as the One Piece Lock Keep. Pre-drill the holes prior to securing the Keeps to the frame Jamb using the screws provided.



MAINTENANCE

Care and Protection by User

With proper care and attention, XL Joinery La Porte Vista Doorsets will give years of excellent service. To achieve this performance, the following should be observed:

- At least once per year all coatings should be washed with mild detergent and water to remove any surface pollution. Do not use a pressure washer for cleaning.
- All hinge mechanisms, locks and handles should be checked at least biannually for ease of operation and lubricated with light oil suitable for the purpose as required.
- Weatherseals should be cleaned at least once per year to remove any dirt or grime.
- Ensure the Aluminium Sill is clean and that there is no build up of dirt or other impediments.

Factory Painted & Stained Finish

The schedule specified in the table below should be followed to maintain the finish. No recoating should be required during this period provided the finish is not damaged. In rare instances, extremes of exposure may necessitate recoating at an earlier stage, e.g. coastal locations.

MAINTENANCE SCHEDULE			
CLIMATE			
	Moderate: Typically non-coastal areas at low altitude	Harsh: Exposed inland locations and areas within ½ a mile of the coast	Extreme: Exposed coastal sites and high altitude areas
Sheltered, e.g. protected by a porch, canopy or overhanging roof	Re-coat every 6-8 years	Re-coat every 6-7 years	Re-coat every 5-7 years
Part Sheltered, e.g. fitted behind exterior brickwork reveal	Re-coat every 6-8 years	Re-coat every 5-7 years	Re-coat every 3-5 years
Unsheltered, e.g. fully exposed face of the building	Re-coat every 5-7 years	Re-coat every 3-5 years	Re-coat every 3-5 years

The finish coat should be washed down with clean water to remove dust, insects and other contaminants, as these can form a base for algae and fungi growth. The coating surface should be inspected for mechanical damage and affected areas repaired accordingly. When carrying out any coating work, do not attempt to paint when the temperature is below 8 degrees Celsius or if the relative humidity exceeds 85%: The curing and performance of the coating may be impaired. Please refer to the coating manufacturers' instructions for further information

XL Joinery Ltd
Bradford Road, Batley, West Yorkshire,
England
WF17 8NE
Tel: 01924 350500
Fax: 01924 350525
www.xljoinery.co.uk

